



920066PL USER MANUAL

Thermal actuators are mainly used in floor heating systems to control closing and opening of the valves. It is specifically applied to electric drive part of the branch manifold valve, small valve and dynamic balance valve. No noise, fast installation and easy disassembly.

Feature:

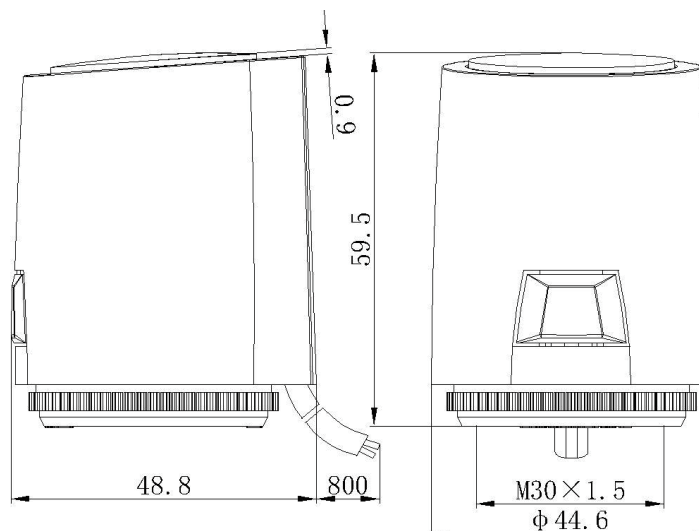
Compact size, small dimensions	Fast installation and disassembly
Noiseless	Various adapters
Low power consumption	Full view stroke indication

Technical parameters:

Control direction: Normally closed/Normally open	Adapter: M30x1.5mm/M28x1.5mm
Voltage: 230V/24V/12V version	Cable length: 800MM
Protection Grade: IP54	Standard: EN 60730
Working temperature: -5 °C -60 °C	Force: 100±10N
Stroke: ≥4mm	Closing and opening time: 3-5mins
Housing material: PA66+30%GF	Power consumption: 2W

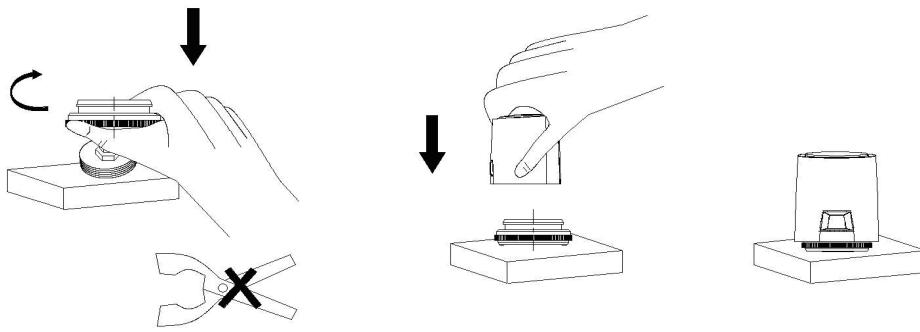
Dimensions:

Unit: MM



Installation and disassembly:

Installation:

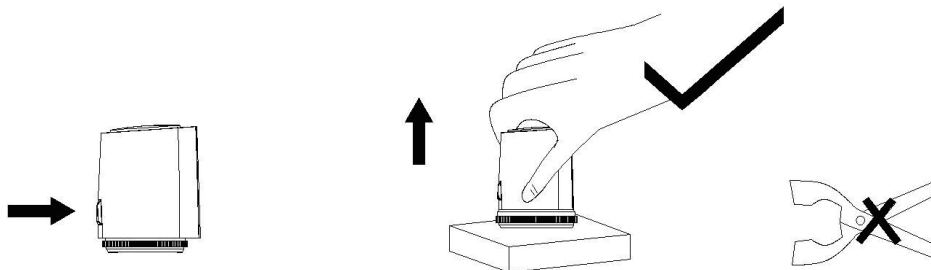


Step 1
Rotate the nut clockwise
and install it on the valve
(Note: Do not use pipe pliers)

Step 2
Press down on the actuator
against the adapter

Step 3
Finish installation

Disassembly:



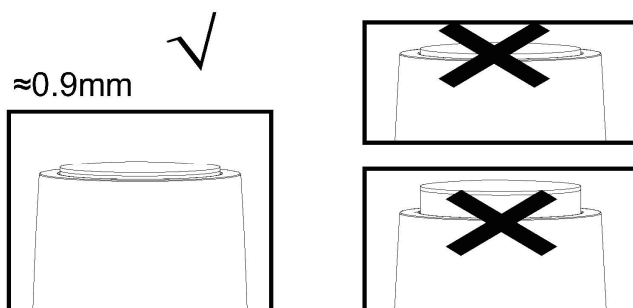
Step 1
Press the button with your hand

Step 2
Press and hold the button and
lift up to remove the actuator

Step 3
Do not use pipe pliers,
clamp and other tools

Installation and debugging precautions:

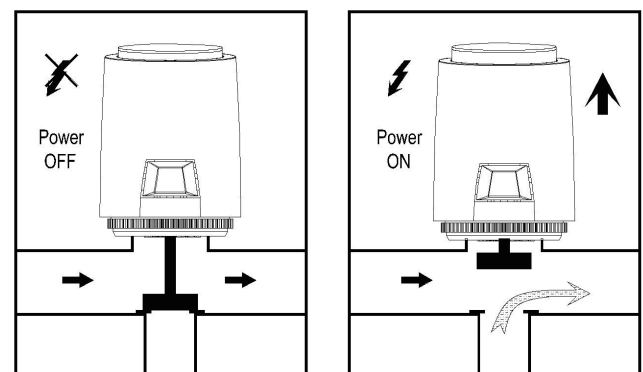
Indication cover status confirmation



Normal situation

Abnormal situation

Working situation



N/C normally closed