

51005001NT Pressure limiting valve

Description:

Pressure limiting valve (PLV) is a pressure control valve product, which can effectively reduce the pressure in the pipeline system and reduce the burst of the pipeline due to the high pressure. When the water pressure provided by the external water supply system is high, it is often necessary to connect the valve. Before entering the user end, install a pressure limiting valve on the pipeline to reduce the water pressure on the user side, so as to avoid high-pressure water from damaging the pipeline on the user side (such as pipelines with weak pressure-bearing capacity), causing unnecessary losses.



Technical parameter:

Valve Body Material: DZR CZ132

Seal Material: EPDM

Medium: water

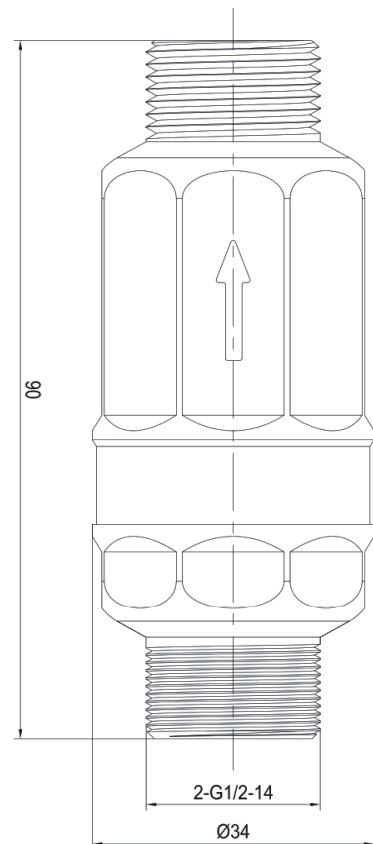
Max working pressure: 1.6Mpa

Input Pressure: 500Kpa

Output Pressure: 200Kpa

Flowing: 50L/min(differential pressure=350Kpa)

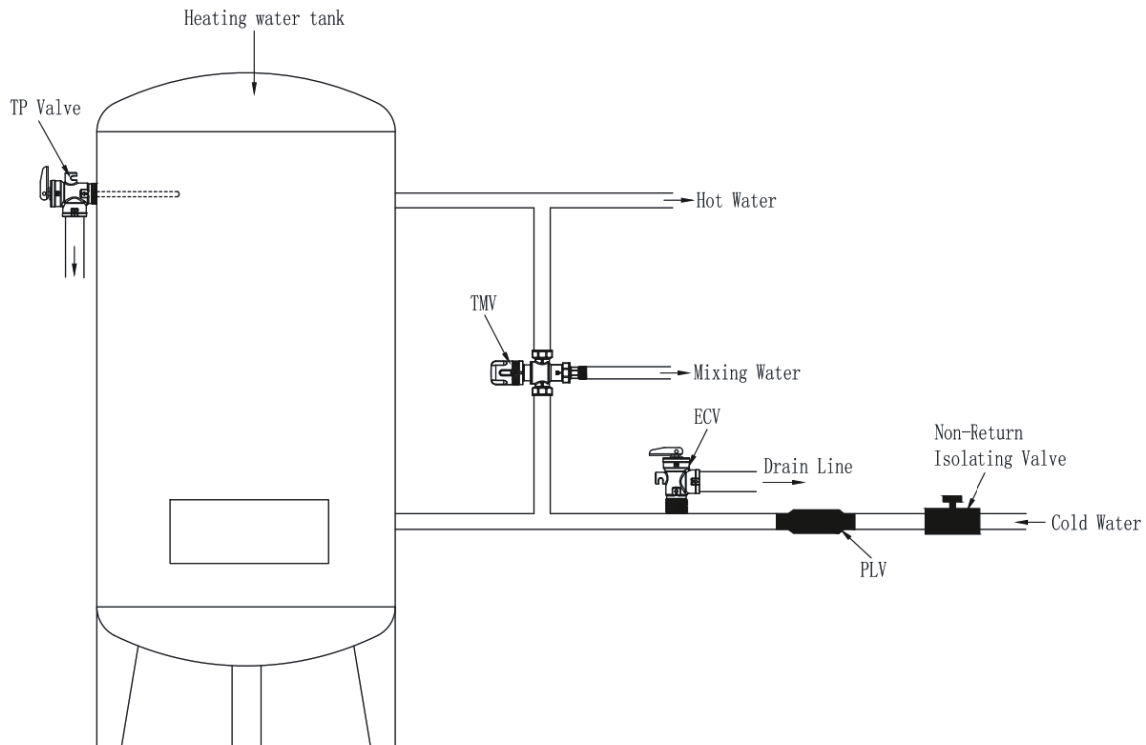
Standard: AS1357.1



Application:

District Heating System, air handling unit, fan coil, radiator and other terminal equipment and so on.

Installation and Note:



1. In order to facilitate maintenance, it is recommended to install a check ball valve in front of the pressure limiting valve;
2. When installing the product, ensure that the direction of the water flow is consistent with the direction of the arrow "—" on the product surface;
3. Before installing the product, water should be passed to ensure that impurities and dirt in the pipeline are cleaned up.