

920059PL USER MANUAL

Thermal actuators are mainly used in floor heating systems to control closing and opening of the valves. It is specifically applied to electric drive part of the branch manifold valve, small valve and dynamic balance valve. No noise, fast installation and easy disassembly.



Feature:

Compact size, small dimensions

Noiseless

Low power consumption

Easy to install

First-open function

Full view stroke indication

Technical parameters:

Control direction: Normally closed

Voltage: 230V/24V/12V version

Protection Grade: IP41

Working temperature: -5 °C -60 °C

Stroke: ≥4mm

Housing material: PA66+30%GF

Adapter: M30x1.5mm

Cable length: 800MM

Standard: EN 60730

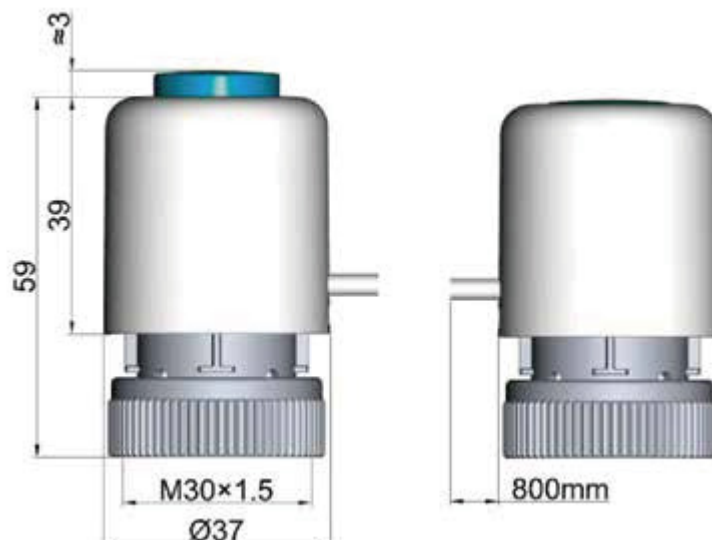
Force: 100±10N

Closing and opening time: 3-5mins

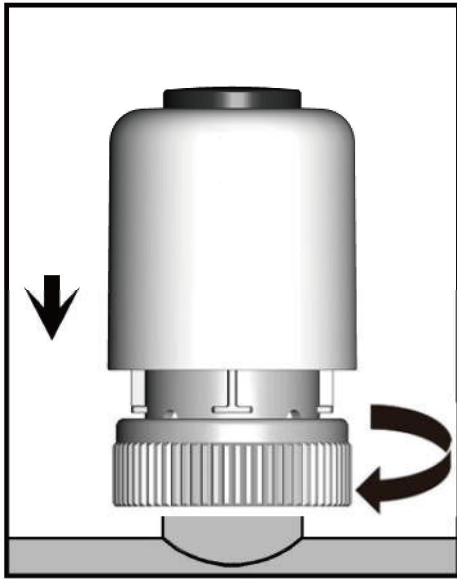
Power consumption: 2W

Dimensions:

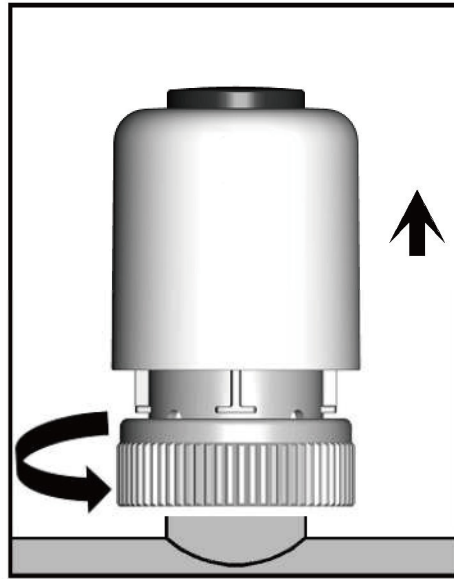
Unit: MM



Installation and disassembly:



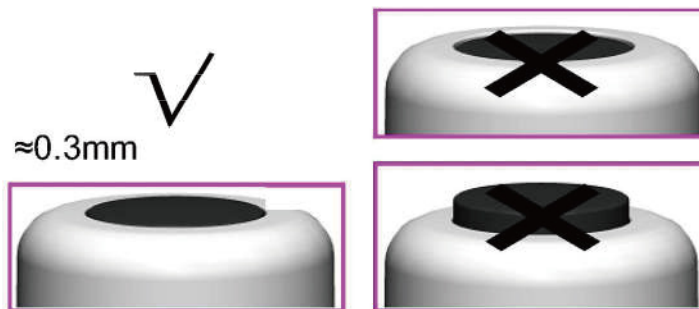
Rotate the nut clockwise and install it on the valve (Note: Do not use pipe pliers, clamp and other tools)



Rotate the nut anticlockwise until remove the actuator (Note: Do not use pipe pliers, clamp and other tools)

Installation and commission precautions:

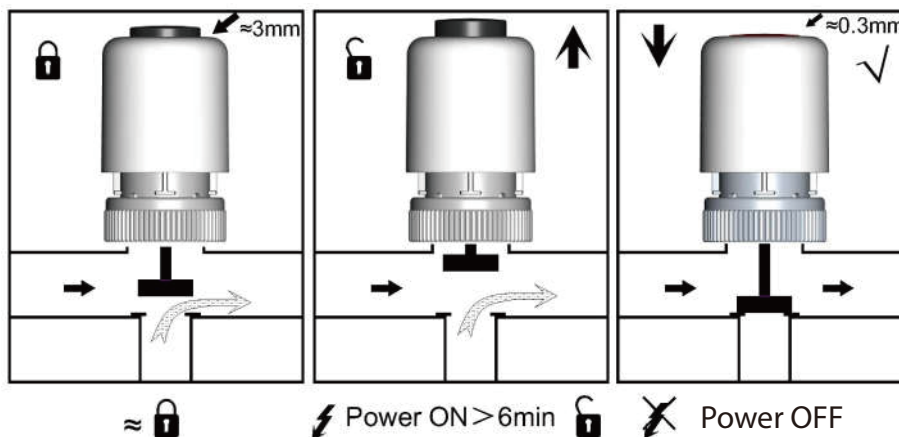
Indication cover status confirmation:



Normal situation

Abnormal situation

Working situation:



≈

Power ON > 6min

Power OFF

N/C normally closed (First installation of power on/off indication)